

Balanced Mixers

FPBM-18000-40000

18~40GHz

Features:

- Low Conversion Loss
- High Isolation

Applications:

- Wireless
- Transceiver
- Laboratory Test
- Broadcast

Electrical

RF Frequency	18~40GHz
LO Frequency	26~33GHz
LO Input Power	13dBm typ.
IF Frequency	6~8GHz
Conversion Loss	10dB typ.
RF/IF Input Power	15dBm max.
LO & RF Isolation	41dB typ.
LO & IF Isolation	32dB typ.
IF & RF Isolation	17dB typ.

Mechanical

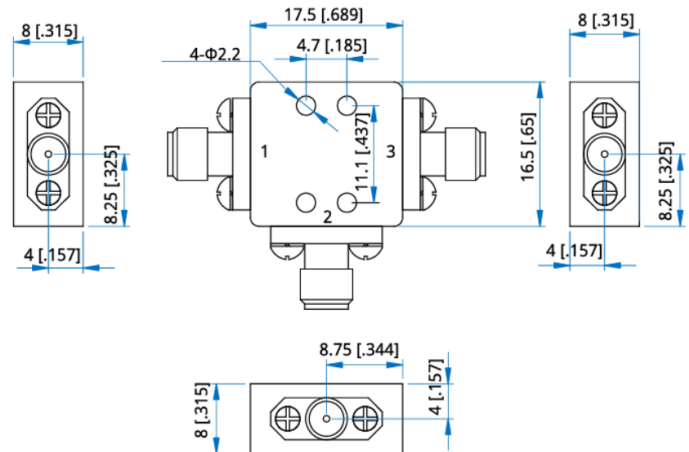
Size^[1]	17.5*16.5*8mm 0.689*0.65*0.315in
IF Connectors	SMA Female
RF/LO Connectors	2.92mm Female
Mounting	4*Φ2.2mm through-hole

[1] Exclude connectors.

Environmental

Operating Temperature -40 ~ +85°C

Construction



Note(s)

Unit: mm [in]

Tolerance: ±0.2mm [±0.008in]