

Balanced Mixers

FPBM-24000-40000

24~40GHz

Features:

- Low Conversion Loss
- High Isolation

Applications:

- Wireless
- Transceiver
- Laboratory Test
- Broadcast

Electrical

LO/RF Frequency	24~40GHz
LO Input Power	+9dBm typ.
IF Frequency	DC~20GHz
Conversion Loss	10dB typ.
RF/IF Input Power	15dBm max.
LO & RF Isolation	40dB typ.
LO & IF Isolation	30dB typ.
IF & RF Isolation	20dB typ.

Mechanical

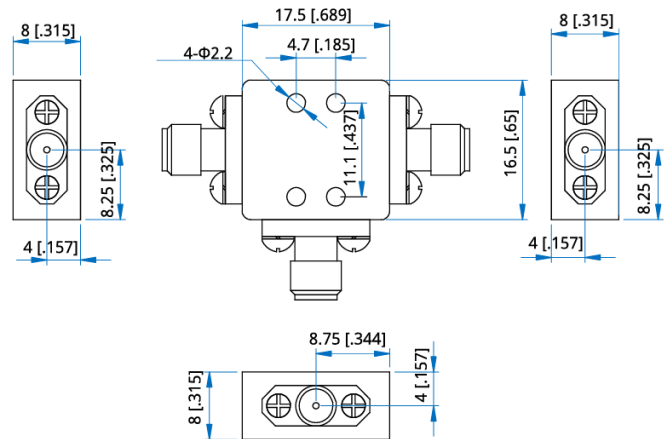
Size^[1]	17.5*16.5*8mm 0.689*0.65*0.315in
IF Connectors	SMA Female
RF/LO Connectors	2.92mm Female
Mounting	4*Φ2.2mm through-hole

[1] Exclude connectors.

Environmental

Operating Temperature	-40 ~ +85°C
------------------------------	-------------

Construction



Note(s)

Unit: mm [in]

Tolerance: ±0.2mm [±0.008in]