

## Balanced Mixers

### FPBM-2500-18000

2.5~18GHz

**Features:**

- Low Conversion Loss
- High Isolation

**Applications:**

- Wireless
- Transceiver
- Laboratory Test
- Broadcast

#### Electrical

<b>LO/RF Frequency</b>	2.5~18GHz
<b>LO Input Power<sup>[1]</sup></b>	+13dBm typ. 20dBm max.
<b>RF/IF Input Power<sup>[1]</sup></b>	16dBm max.
<b>IF Frequency</b>	DC~6GHz
<b>Conversion Loss</b>	10dB typ.
<b>RF/IF Input Power</b>	10dBm max.
<b>LO &amp; RF Isolation</b>	30dB typ.
<b>LO &amp; IF Isolation</b>	25dB typ.
<b>IF &amp; RF Isolation</b>	16dB typ.

[1] Permanent damage may occur if any of these limits are exceeded.

#### Mechanical

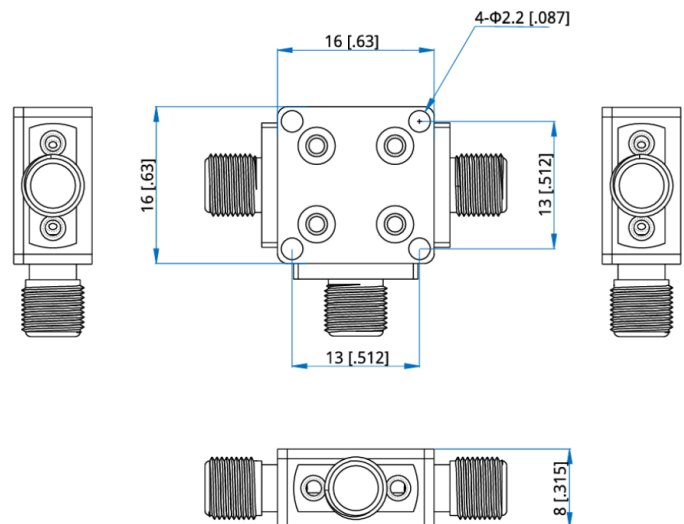
<b>Size<sup>[2]</sup></b>	16*13*8mm 0.63*0.512*0.315in
<b>Connectors</b>	SMA Female
<b>Mounting</b>	4*Φ2.2mm through-hole

[2] Exclude connectors.

#### Environmental

**Operating Temperature** -40 ~ +85°C

#### Construction



**Note(s)**

Unit: mm [in]  
Tolerance: ±0.2mm [±0.008in]