

Balanced Mixers

FPBM-2500-8000

2.5~8GHz

Features:

- Low Conversion Loss
- High Isolation

Applications:

- Wireless
- Transceiver
- Laboratory Test
- Broadcast

Electrical

LO/RF Frequency	2.5~8GHz
LO Input Power	+13dBm typ.
IF Frequency	DC~4GHz
Conversion Loss	10dB typ.
RF/IF Input Power	10dBm max.
LO & RF Isolation	18~25dB typ.
LO & IF Isolation	15~20dB typ.
IF & RF Isolation	8~15dB typ.

Mechanical

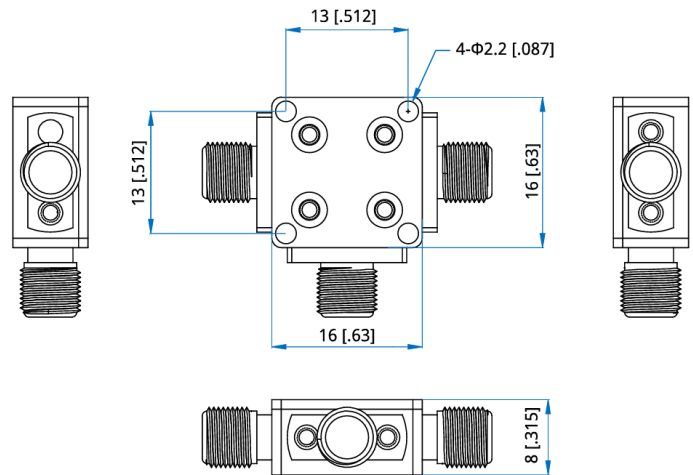
Size^[1]	16*16*8mm 0.63*0.63*0.315in
Connectors	SMA Female
Mounting	4- Φ 2.2mm through-hole

[1] Exclude connectors.

Environmental

Operating Temperature	-40 ~ +85°C
------------------------------	-------------

Construction



Note(s)

Unit: mm [in]

Tolerance: ± 0.2 mm [± 0.008 in]