

Balanced Mixers

FPBM-6000-26000

6~26GHz

Features:

- Low Conversion Loss
- High Isolation

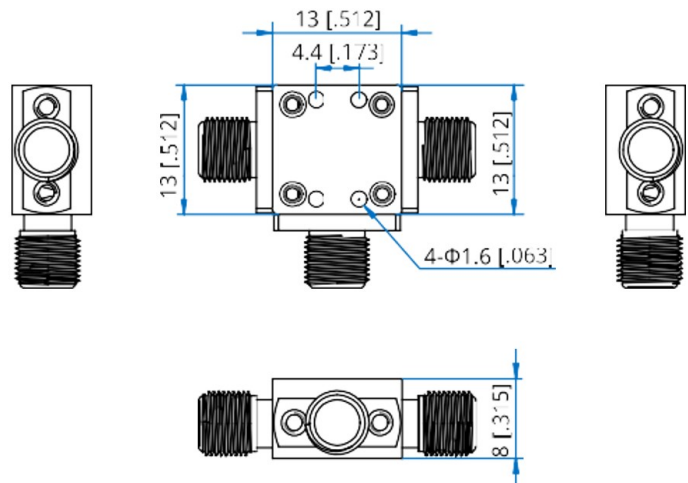
Applications:

- Wireless
- Transceiver
- Laboratory Test
- Broadcast

Electrical

LO/RF Frequency	6~26GHz
LO Input Power	+13dBm typ.
IF Frequency	DC~10GHz
Conversion Loss	9dB typ.
LO & RF Isolation	35dB typ.
LO & IF Isolation	35dB typ.
IF & RF Isolation	15dB typ.
VSWR	2.5 typ.
RF Input Power	21dBm max.
LO Input Power	21dBm max.
IF Input Power	21dBm max.
IF Current	2mA max.

Construction



Mechanical

Size^[1]	13*13*8mm 0.512*0.512*0.315in
Connectors	SMA Female
Mounting	4*Φ1.6mm through-hole

[1] Exclude connectors.

Note(s)

Unit: mm [in]
Tolerance: ±0.2mm [±0.008in]

Environmental

Operating Temperature	-40 ~ +85°C
------------------------------	-------------