

Balanced Mixers

FPBM-6000-8000

6~8GHz

Features:

- Low Conversion Loss
- High Isolation

Applications:

- Wireless
- Transceiver
- Laboratory Test
- Broadcast

Electrical

RF Frequency	6~8GHz
LO Frequency	7~10GHz
LO Input Power	13dBm typ.
IF Frequency	DC~2GHz
Conversion Loss	9dB typ.
RF/IF Input Power	8dBm max.
LO & RF Isolation	17~25dB typ.
LO & IF Isolation	20~28dB typ.
IF & RF Isolation	15~25dB typ.

Mechanical

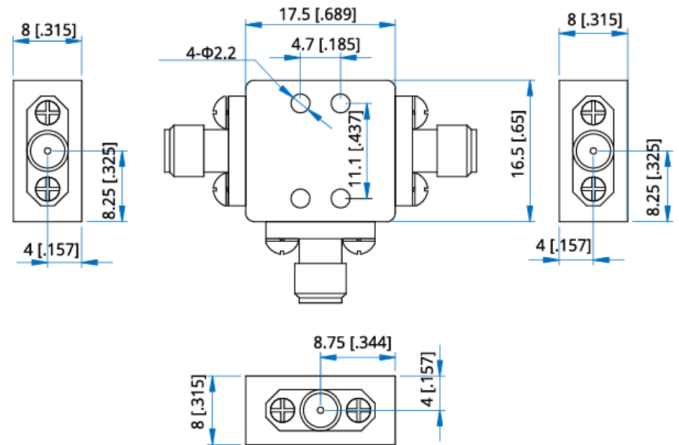
Size^[1]	17.5*16.5*8mm 0.689*0.65*0.315in
Connectors	SMA Female
Mounting	4*Φ2.2mm through-hole

[1] Exclude connectors.

Environmental

Operating Temperature	-40 ~ +85°C
------------------------------	-------------

Construction



Note(s)

Unit: mm [in]

Tolerance: ±0.2mm [±0.008in]