

Balanced Mixers

FPBM-75000-110000

75~110GHz

Features:

- Low Conversion Loss
- High Isolation

Applications:

- Wireless
- Transceiver
- Laboratory Test
- Broadcast

Electrical

RF Frequency	75~110GHz
RF Input Power	10dBm max.
LO Input Power	15dBm max.
IF Frequency	DC~12GHz
Conversion Loss	10dB typ.
LO & RF Isolation	20dB typ.
LO Power	8dBm typ.
RF Input VSWR	1.3 typ.
IF Input VSWR	1.3 typ.
Voltage	+5V

Mechanical

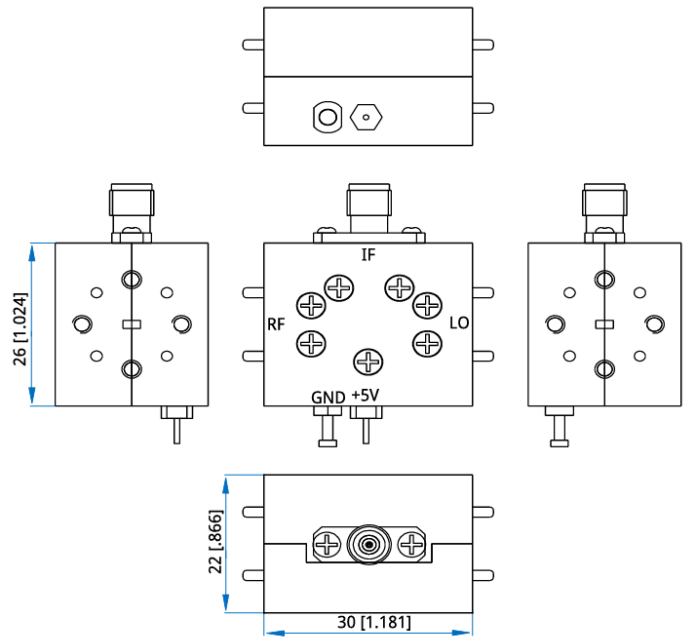
Size^[1]	30*26*22mm 1.181*1.024*0.866in
RF Connectors	WR-10,UG-387/UM
IF Connectors	2.92mm Female
LO Connectors	WR-10,UG-387/UM

[1] Exclude connectors.

Environmental

Operating Temperature +10 ~ 40°C

Construction



Note(s)

Unit: mm [in]

Tolerance: ±0.1mm [±0.004in]