

Precision Test Adapters

N (F) to SMA (F)



■ Features

- Frequency range : DC to 18 GHz
- VSWR : 1.20 : 1 (Max) @ 18 GHz
- Stainless steel (passivated)

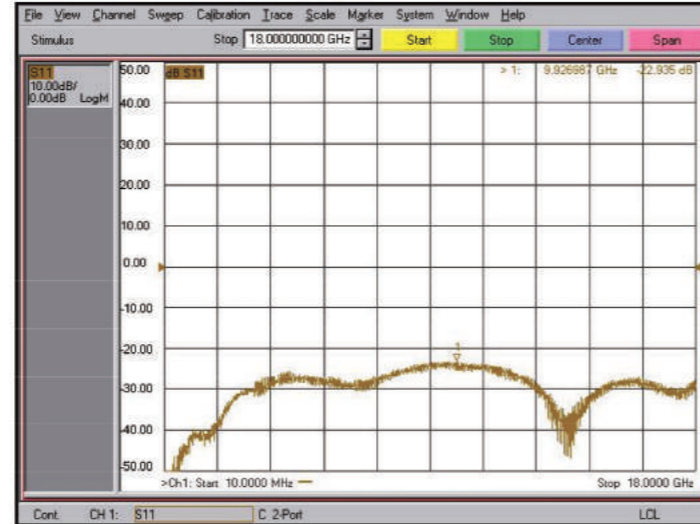


■ Specification

Scope	Specification	AD07F06FS2
	Impedance (Ohm)	50
Electrical	Operation Freq. (GHz)	DC to 18 GHz
	VSWR (Max)	1.20 : 1
	Dielectric	PTFE
Material	Center Contact	Brass with gold plated
	Body	Passivated Stainless Steel
		* RoHS Compliant

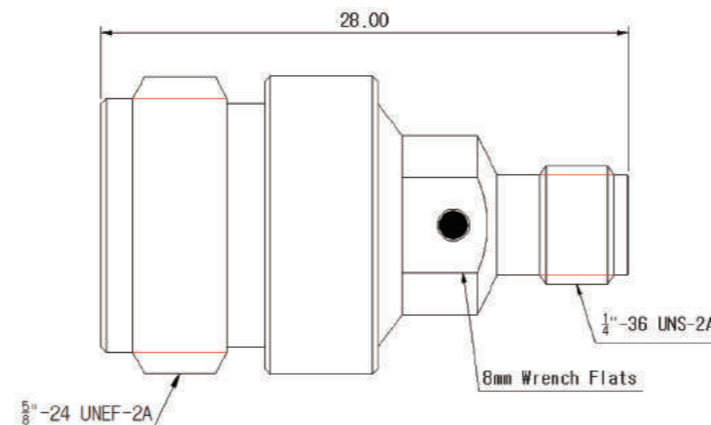
■ Test Result

Frequency: 10 MHz to 18 GHz



■ Drawing

unit: mm
Part No. : AD07F06FS2



Precision Test Adapters

N (M) to SMA (F)



■ Features

- Frequency range : DC to 18 GHz
- VSWR : 1.20 : 1 (Max) @ 18 GHz
- Stainless steel (passivated)



■ Specification

Scope	Specification	AD07M06FS2
	Impedance (Ohm)	50
Electrical	Operation Freq. (GHz)	DC to 18 GHz
	VSWR (Max)	1.20 : 1
	Dielectric	PTFE
Material	Center Contact	Brass with gold plated
	Body	Passivated Stainless Steel
		* RoHS Compliant

■ Test Result

Frequency: 10 MHz to 18 GHz



■ Drawing

unit: mm
Part No. : AD07M06FS2

