

# Precision Test Adapters

## 3.5 mm(M) to 3.5 mm(M)



**Microwave Farm's Precision Test Adapters** are designed based on precision microwave interconnection technologies. This 3.5 mm(M) to 3.5 mm(M) adapter is manufactured to precise microwave specifications and constructed with male gender on side 1 and female gender side 2.

The precision microwave connector interfaces ensure an excellent microwave performance up to 34 GHz



### ■ Features

- Frequency range : DC to 34 GHz
- VSWR 1.20 : 1 (Max) @ 34 GHz
- Body : Stainless steel (passivated)

### ■ Specification

Scope	Specification	MFAD04M04MS1
Electrical	Impedance(Ohm)	50
	Operation Freq.(GHz)	DC to 34 GHz
	VSWR (Max)	1.20 : 1
Material	Dielectric	Special dielectric
	Center Contact	BeCu with gold plated
	Body	Passivated Stainless Steel

\* RoHS Compliant

# Precision Test Adapters

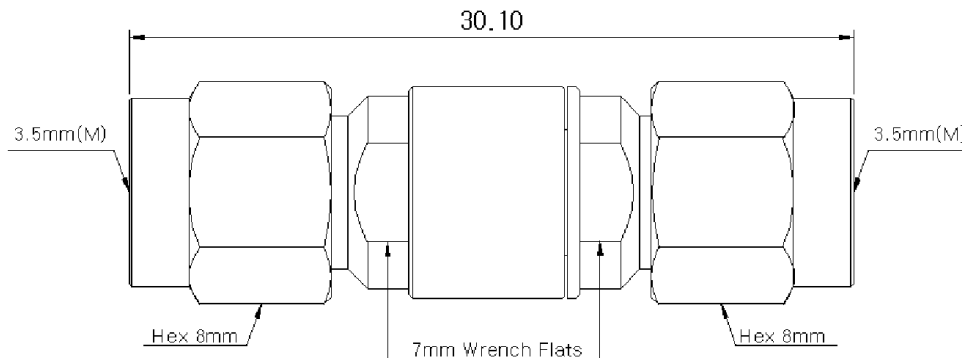
## 3.5 mm(M) to 3.5 mm(M)



### Drawing

Part No.: MFAD04M04MS1

Unit : mm



### Test Result

- Frequency : 10 MHz to 34 GHz

