

# Precision Test Adapters



## 1.85 mm(M) to 2.92 mm(M) : Right Angle type

Microwave Farm's Precision Test Adapters are designed based on precision microwave interconnection technologies.

This 1.85 mm(M) to 2.92 mm(M) *Right Angle adapter* is manufactured to precise microwave specifications and constructed with male gender on side 1 and male gender on side 2.

The precision microwave connector interfaces ensure an excellent microwave performance up to 40 GHz



### ■ Features

- Frequency range : DC to 40 GHz
- VSWR(Max) : 1.20 : 1
- Body : Stainless steel (passivated)

### ■ Specification

Scope	Specification	MFAD01M03MR1
Electrical	Impedance(Ohm)	50
	Operation Freq.(GHz)	DC to 40 GHz
	VSWR (Max)	1.20 : 1
Material	Dielectric	Special dielectric
	Center Contact	Brass with gold plated
	Body	Passivated Stainless Steel

\* RoHS Compliant

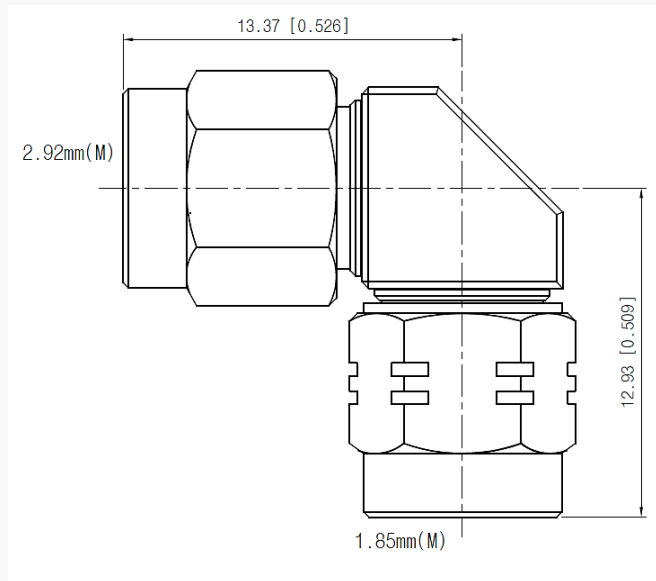
# Precision Test Adapters

## 1.85 mm(M) to 2.92 mm(M) : Right Angle type

### ■ Drawing

Part No.: MFAD01M03MR1

Unit : mm[inch]



### ■ Test Result

▪ Frequency : 10 MHz to 40 GHz

