

Precision Test Adapters

SMPM(F) to SMPM(F) : *Bullet Type*



Microwave Farm's Precision Test Adapters are designed based on precision microwave interconnection technologies.

This SMPM(F) to SMPM(F) adapter with Bullet type is manufactured to precise microwave specifications and constructed with female gender on side 1 and female gender side 2.

The precision microwave connector interfaces ensure an excellent microwave performance up to 67 GHz



■ Features

- Frequency range : DC to 67 GHz
- VSWR : 1.5 : 1(Max) @ 67 GHz
- Stainless steel (passivated)

■ Specification

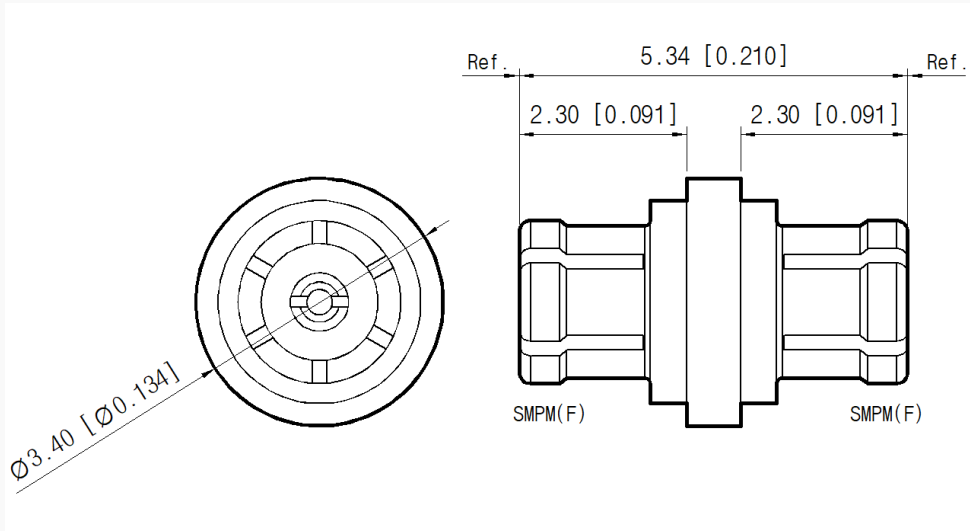
Scope	Specification	MFAD17F17FS1	
Electrical	Impedance(Ohm)	50	
	Operation Freq.(GHz)	DC to 67 GHz	
	VSWR (Max)		1.2 : 1 @ 40 GHz
			1.3 : 1 @ 50 GHz
		1.5 : 1 @ 67 GHz	
Material	Dielectric	Special dielectric	
	Center Contact	Beryllium copper with gold plated	
	Body	Beryllium copper with gold plated	

* RoHS Compliant

■ Drawing

Part No.: MFAD17F17FS1

Unit : mm[inch]



■ Test Result

▪ Frequency : 10 MHz to 67 GHz

