

Precision Test Adapters

SMA(F) to SMP(M)



Microwave Farm's Precision Test Adapters are designed based on precision microwave interconnection technologies.

This SMA(F) to SMP(M) adapter is manufactured to precise microwave specifications and constructed with female gender on side 1 and male gender side 2.

The precision microwave connector interfaces ensure an excellent microwave performance up to 26.5 GHz



■ Features

- Frequency range : DC to 26.5 GHz
- VSWR : 1.30 : 1(Max) @ 26.5 GHz
- Stainless steel (passivated)

■ Specification

Scope	Specification	MFAD05M06FS1
Electrical	Impedance(Ohm)	50
	Operation Freq.(GHz)	DC to 26.5 GHz
	VSWR (Max)	1.20 : 1 @ 18.0 GHz 1.30 : 1 @ 26.5 GHz
Material	Dielectric	Special dielectric
	Center Contact	Beryllium copper with gold plated
	Body	Passivated Stainless Steel

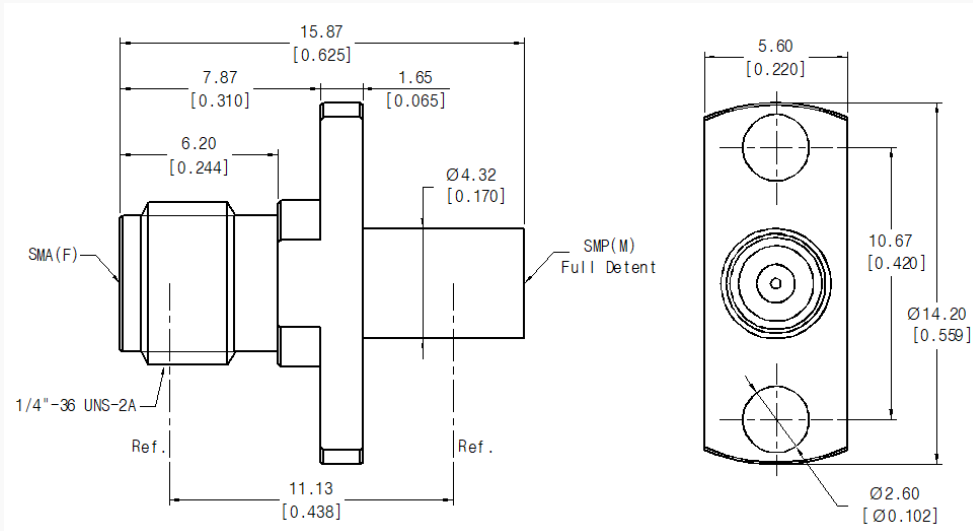
* RoHS Compliant

SMA(F) to SMP(M)

■ Drawing

Part No.: MFAD05M06FS1

Unit : mm



■ Test Result

▪ Frequency : 10 MHz to 26.5 GHz

