

Microwave Farm's Compact 3.5 mm Calibration Kits offers excellent performance characteristics for fine-tuning in production environments and quality testing facilities using 50 ohm 3.5 mm connectors from DC to 9 GHz. This Cal. Kit includes all needed calibration standard (open, short, load, through) in one unit. It is best solution available for easy of use in VNA calibration, especially in the field.



■ Features

- DC to 9 GHz
- Standard kit included 3.5 mm (Female, Male) Open-Short-Load-Through

■ Application

- VNA, Full 2-port CAL.
- Test & Measurement
- Precision Calibration

■ Specification

Scope	Items	Part No. : MFWW35MT
Electrical	Freq. range	DC to 9 GHz
	Impedance	50 Ohm
	Return loss	LOAD : < 38 dB
	Phase deviation(OOPEN,SHORT)	< 1.5 degrees
Mechanical	Connector type	3.5 mm (Female) 3.5 mm (Male)
	Housing	Stainless steel
	Weight	56 g

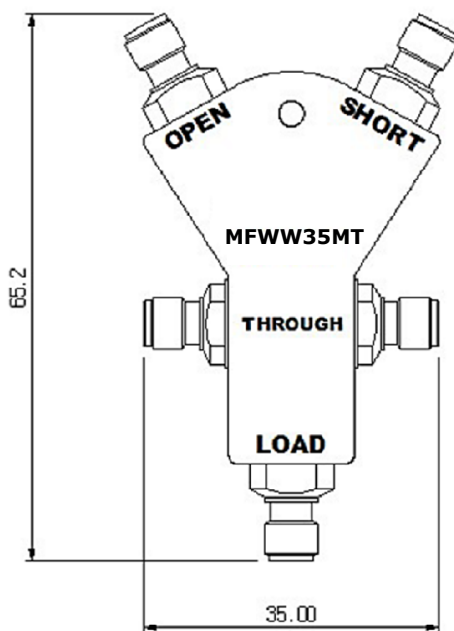
■ Calibration Coefficient

Type	Cal. Coefficient	
OPEN	C0	$49.43 \times 10^{-15} \text{F}$
	C1	$-310.13 \times 10^{-27} \text{F/Hz}$
	C2	$23.17 \times 10^{-36} \text{F/Hz}^2$
	C3	$-0.16 \times 10^{-45} \text{F/Hz}^3$
	Offset delay	29.243 ps
	Offset Loss	2.2 GΩ/s
SHORT	L0	$2.0765 \times 10^{-12} \text{H}$
	L1	$-108.54 \times 10^{-24} \text{H/Hz}$
	L2	$2.1705 \times 10^{-33} \text{H/Hz}^2$
	L3	$-0.01 \times 10^{-42} \text{H/Hz}^3$
	Offset delay	31.785 ps
	Offset Loss	2.36 GΩ/s
THROUGH	Electrical delay	107.9 ps

■ Drawing

Unit : mm

Female Type



Male Type

