

**Microwave Farm's Test Adapters** are designed based on precision RF interconnection technologies. This MCX(M) to SMA(M) adapter is manufactured to precise RF specifications and constructed with male gender on side 1 and female gender side 2. The Test Adapter interfaces ensure an excellent RF performance up to 6 GHz.



### ■ Features

- Frequency range : DC to 6 GHz
- VSWR : 1.20 : 1(Max) @ 6 GHz

### ■ Specification

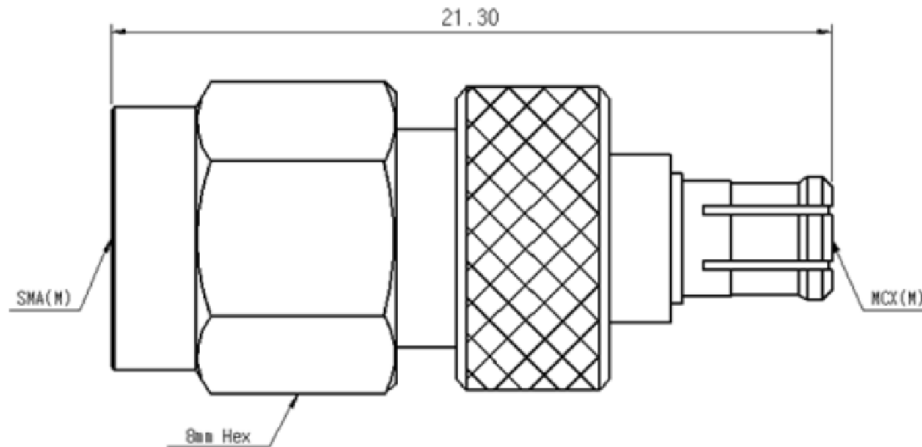
Scope	Specification	MFAD06M10MS1
Electrical	Impedance(Ohm)	50
	Operation Freq.(GHz)	DC to 6 GHz
	VSWR (Max)	1.20 : 1
Material	Dielectric	PTFE
	Center Contact	Beryllium copper with gold plated
	Body	Brass with Nickel plated

\* RoHS Compliant

### Drawing

Part No.: MFAD06M10MS1

Unit : mm



### Measurement Data

