

Microwave Farm's DC Blocks are composed of broadband, coaxial blocking capacitors.

Due to the coaxial construction, it offers an excellent RF performance specified from 30 MHz to 26.5 GHz & 40 GHz.

Precision SMA & 2.92 mm coaxial connector interfaces ensure an excellent impedance match across wide bandwidth.



### ■ Features

- SMA & 2.92 mm type (Male to Female)
- Frequency Range : 30 MHz to 26.5 GHz (SMA), 40 GHz (2.92 mm)
- Insertion Loss : 0.25 dB (Max)

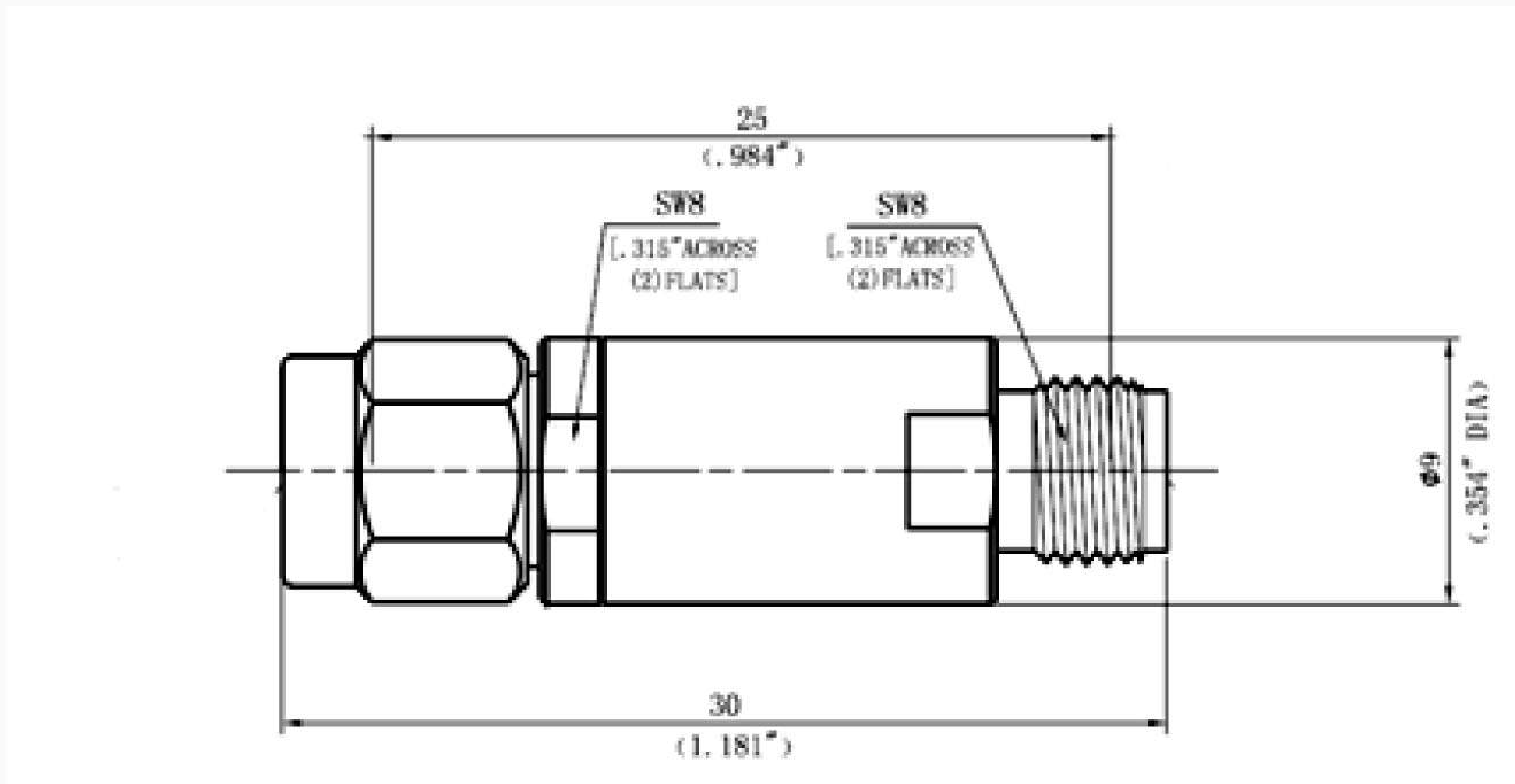
### ■ Specification

Scope	Specification	DC06-01	DC03-01
Electrical	Impedance(Ohm)	50	
	Operation Freq.(GHz)	0.030~26.5	0.030~40
	Insertion Loss (dB) : Max	0.25	
	Working Voltage(V)	50	
	VSWR (Max)	1.25 : 1	1.30 : 1
Material	Dielectric	PTFE	
	Center Contact	Beryllium copper with gold plated	
	Housing	SUS03F Polished & Passivated	

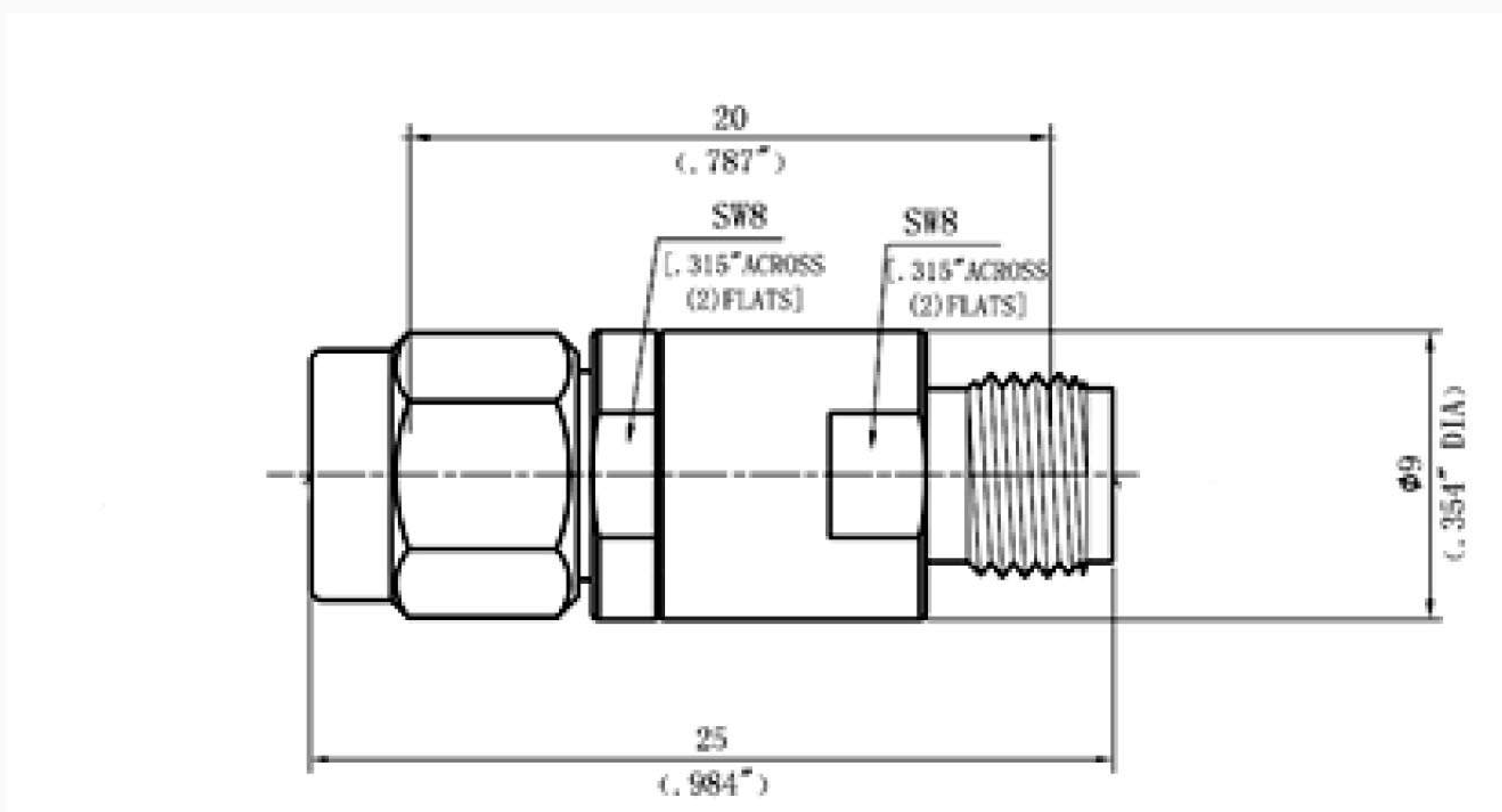
### ■ Drawing

Unit : mm

#### Part No.: DC06-01 (SMA Type)



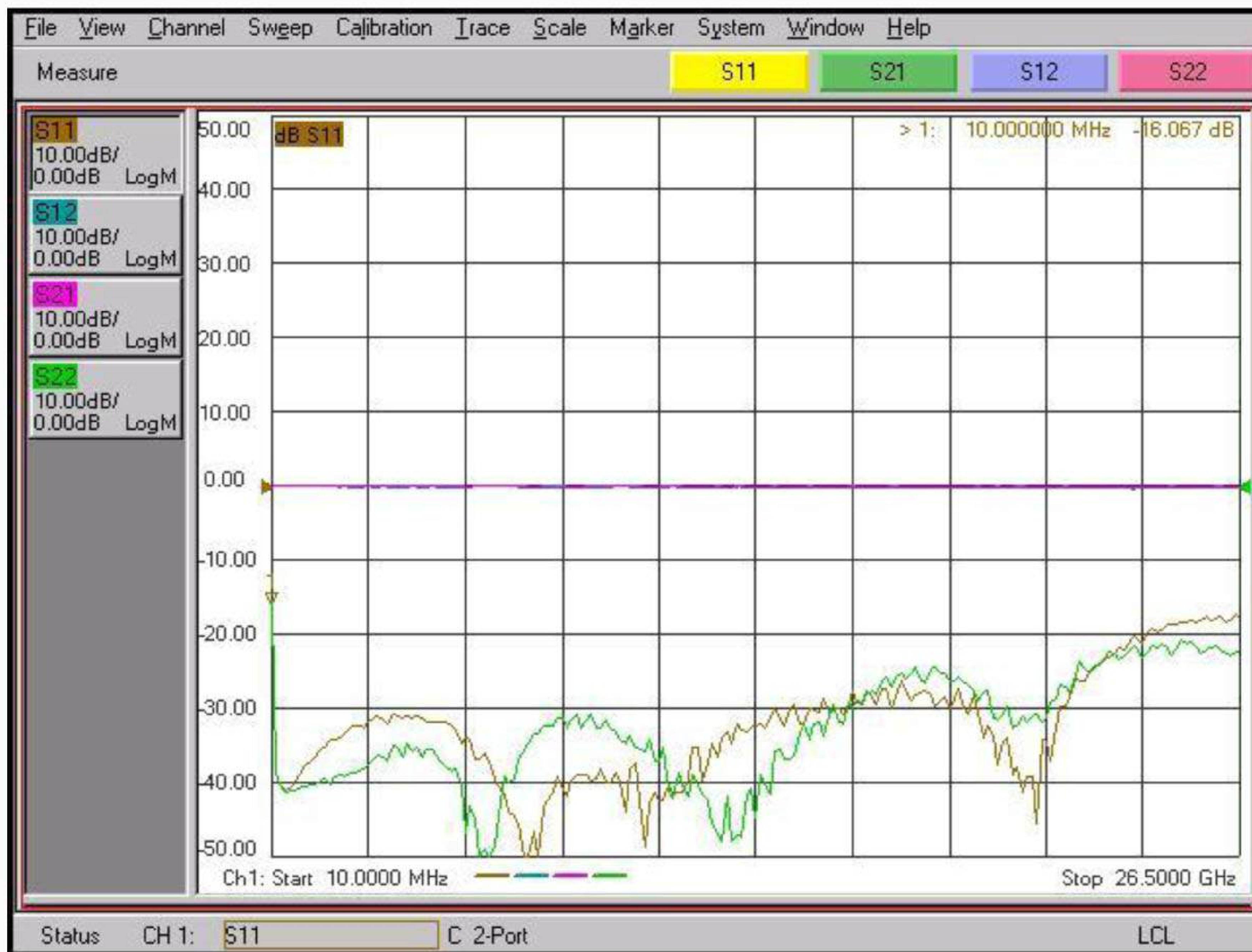
#### Part No.: DC03-01 (2.92 mm Type)





## ■ Measurement data

### Part No.: DC06-01 (SMA Type)



### Part No.: DC03-01 (2.92 mm Type)

