

Microwave Farm's Test Adapters are designed on precision RF interconnection technologies.

This MCX(M) to SMA(M) adapter is manufactured to precise RF specifications and constructed with male gender on side 1 and male gender side 2.

The Test Adapter interfaces ensure an excellent RF performance up to 6 GHz.



■ Features

- Frequency range : DC to 6 GHz
- VSWR : 1.20 : 1(Max) @ 6 GHz

■ Specification

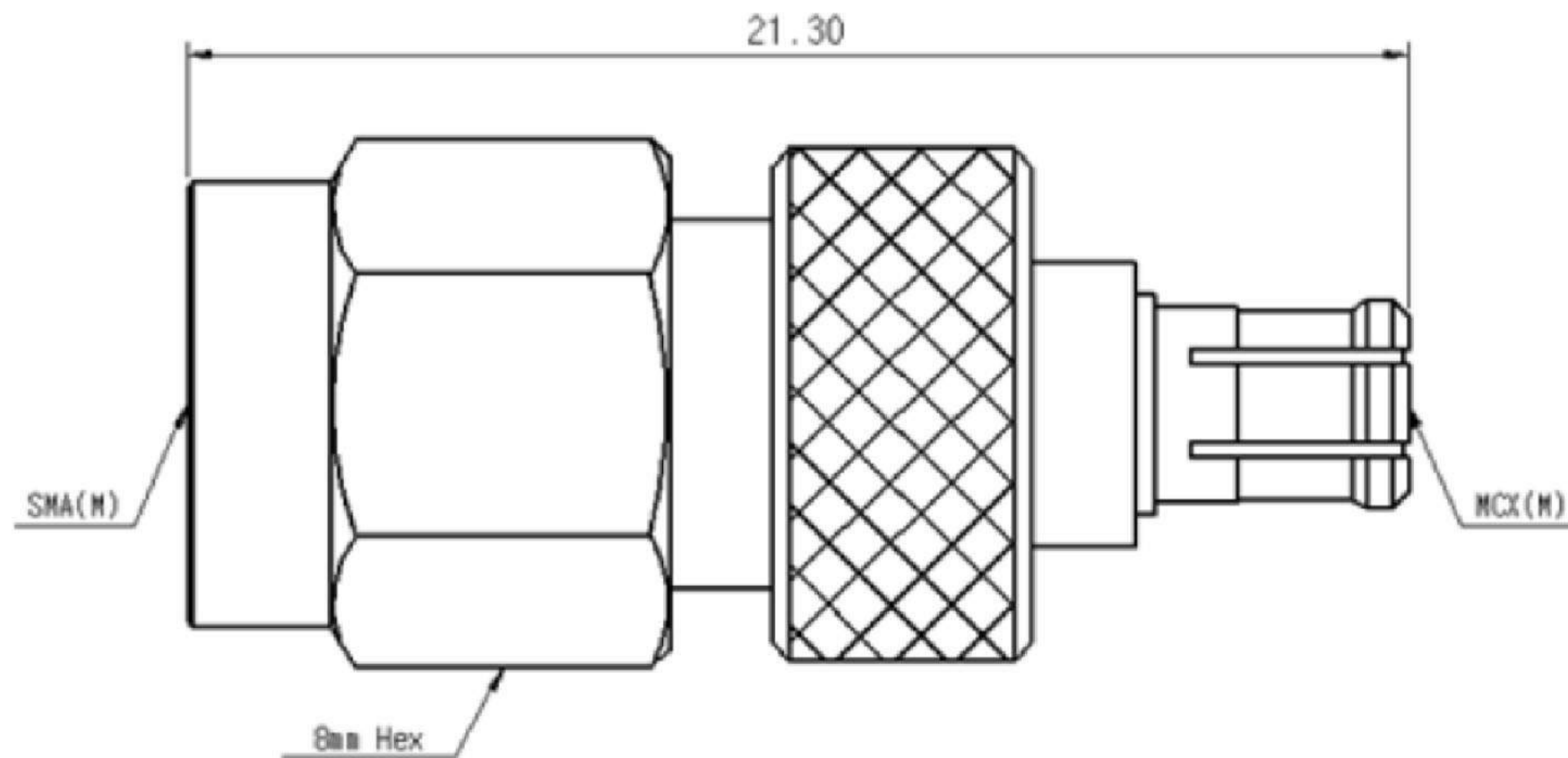
Scope	Specification	AD06M10MS1
Electrical	Impedance(Ohm)	50
	Operation Freq.(GHz)	DC to 6 GHz
	VSWR (Max)	1.20 : 1
Material	Dielectric	PTFE
	Center Contact	Beryllium copper with gold plated
	Body	Brass with Nickel plated

* RoHS Compliant

Drawing

Part No.: AD06M10MS1

Unit : mm



Measurement Data

