

Precision Test Adapters



2.4 mm(M) to 2.92 mm(F) : *Right Angle type*

Microwave Farm's Precision Test Adapters are designed based on precision microwave interconnection technologies.

This 2.4 mm(M) to 2.92 mm(F) **Right Angle adapter** is manufactured to precise microwave specifications and constructed with male gender on side 1 and female gender on side 2.

The precision microwave connector interfaces ensure an excellent microwave performance up to 40 GHz



■ **Features**

- Frequency range : DC to 40 GHz
- VSWR(Max) : 1.20 : 1
- Body : Stainless steel (passivated)

■ **Specification**

Scope	Specification	MFAD02M03FR1
Electrical	Impedance(Ohm)	50
	Operation Freq.(GHz)	DC to 40 GHz
	VSWR (Max)	1.20 : 1
Material	Dielectric	Special dielectric
	Center Contact	BeCu with gold plated
	Body	Passivated Stainless Steel

* RoHS Compliant

Precision Test Adapters

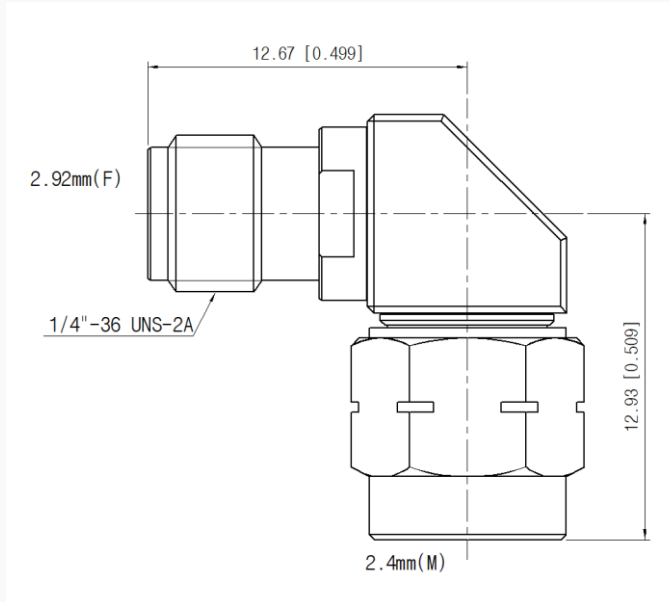


2.4 mm(M) to 2.92 mm(F) : Right Angle type

■ Drawing

Part No.: MFAD02M03FR1

Unit : mm[inch]



■ Test Result

▪ Frequency : 10 MHz to 40 GHz

