

Precision Test Adapters

N(F) to SMA(F)



Microwave Farm's Precision Test Adapters are designed based on precision microwave interconnection technologies.

This N(F) to SMA(F) adapter is manufactured to precise microwave specifications and constructed with female gender on side 1 and female gender side 2.

The precision microwave connector interfaces ensure an excellent microwave performance up to 18 GHz



■ Features

- Frequency range : DC to 18 GHz
- VSWR : 1.2 : 1(Max) @ 18 GHz
- Stainless steel (passivated)

■ Specification

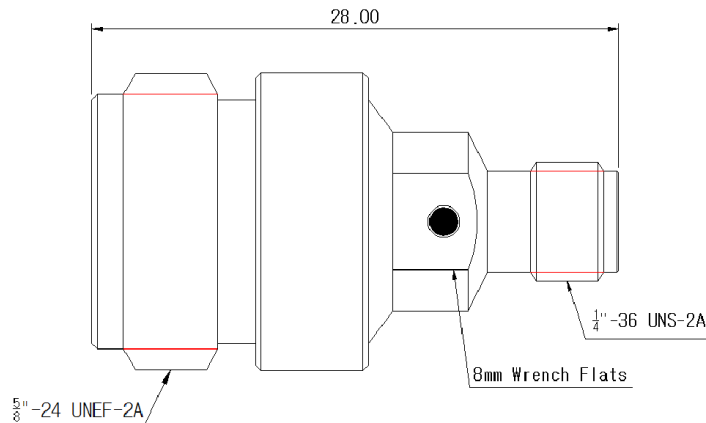
Scope	Specification	MFAD07F06FS2
Electrical	Impedance(Ohm)	50
	Operation Freq.(GHz)	DC to 18 GHz
	VSWR (Max)	1.2 : 1
Material	Dielectric	PTFE
	Center Contact	Brass (gold plated)
	Body	Passivated Stainless Steel

* RoHS Compliant

■ Drawing

Part No.: MFAD07F06FS2

Unit : mm



■ Test Result

* Freq. range: 10 MHz to 18 GHz

