

**Microwave Farm's Test Adapters** are designed based on precision RF interconnection technologies.  
This N(F) to SMA(F) adapter is manufactured to precise RF specifications and constructed with male gender on side 1 and male gender side 2.  
The Test RF connector interfaces ensure an excellent RF performance up to 10 GHz



### ■ Features

- Frequency range : DC to 10 GHz
- VSWR : 1.30 : 1(Max) @ 10 GHz

### ■ Specification

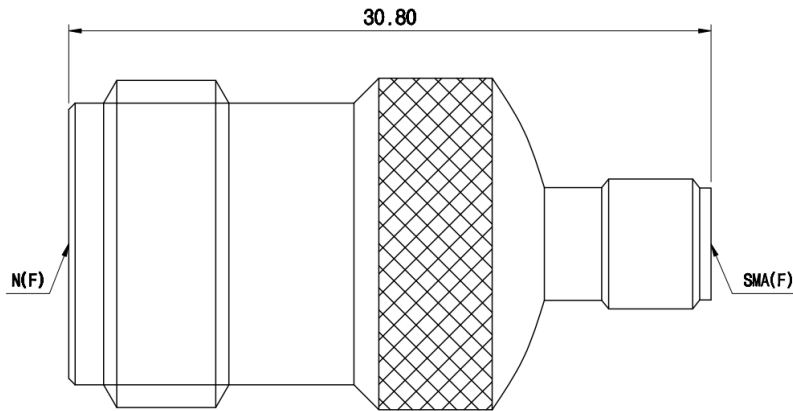
Scope	Specification	MFAD07F06FS1
Electrical	Impedance(Ohm)	50
	Operation Freq.(GHz)	DC to 10 GHz
	VSWR (Max)	1.30 : 1
Material	Dielectric	PTFE
	Center Contact	Beryllium copper with gold plated
	Body	Brass with Nickel plated

\* RoHS Compliant

### Drawing

Part No.: MFAD07F06FS1

Unit : mm



### Measurement Data

