

# Precision Test Adapters

## 1.85 mm(F) to 1.85 mm(F) : 4 Hole Flange



**Microwave Farm's Precision Test Adapters** are designed based on precision microwave interconnection technologies.

This 1.85 mm(F) to 1.85 mm(F) adapter with 4 Hole Flange manufactured to precise microwave specifications and constructed with female gender on side 1 and female gender side 2.

The precision microwave connector interfaces ensure an excellent microwave performance up to 67GHz



### ■ Features

- Frequency range : DC to 67 GHz
- VSWR : 1.30 : 1(Max) @ 67 GHz
- Stainless steel (passivated)

### ■ Specification

Scope	Specification	MFAD01F01FS3
Electrical	Impedance(Ohm)	50
	Operation Freq.(GHz)	DC to 67 GHz
	VSWR (Max)	1.30: 1
Material	Dielectric	Special dielectric
	Center Contact	BeCu with gold plated
	Body	Passivated Stainless Steel

\* RoHS Compliant

# Precision Test Adapters

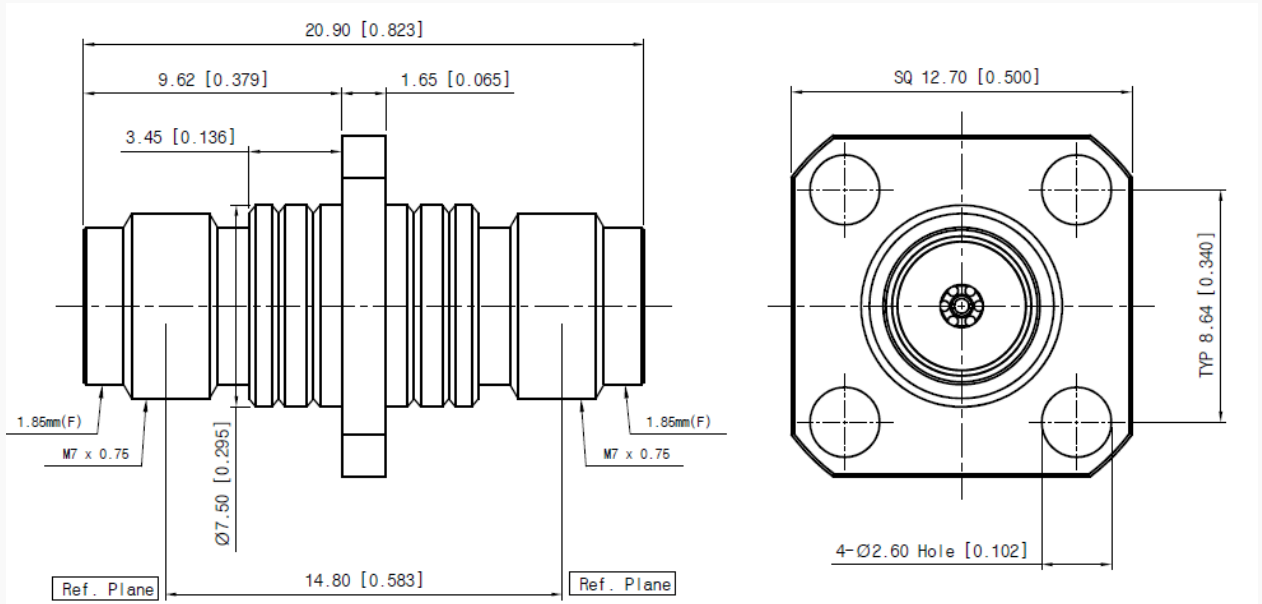


## 1.85 mm(F) to 1.85 mm(F) : 4 Hole Flange

### Drawing

Part No.: MFAD01F01FS3

Unit : mm



### Test Result

