

# Precision Test Adapters



## 1.85 mm(M) to 2.4 mm(F) : Right Angle type

**Microwave Farm's Precision Test Adapters** are designed based on precision microwave interconnection technologies.

This 1.85 mm(M) to 2.4 mm(F) **Right Angle adapter** is manufactured to precise microwave specifications and constructed with male gender on side 1 and female gender on side 2.

The precision microwave connector interfaces ensure an excellent microwave performance up to 40 GHz



### ■ Features

- Frequency range : DC to 50 GHz
- VSWR(Max) : 1.3 : 1
- Body : Stainless steel (passivated)

### ■ Specification

| Scope      | Specification        | MFAD01M02FR1               |
|------------|----------------------|----------------------------|
| Electrical | Impedance(Ohm)       | 50                         |
|            | Operation Freq.(GHz) | DC to 50 GHz               |
|            | VSWR (Max)           | 1.30 : 1                   |
| Material   | Dielectric           | Special dielectric         |
|            | Center Contact       | BeCu with gold plated      |
|            | Body                 | Passivated Stainless Steel |

\* RoHS Compliant

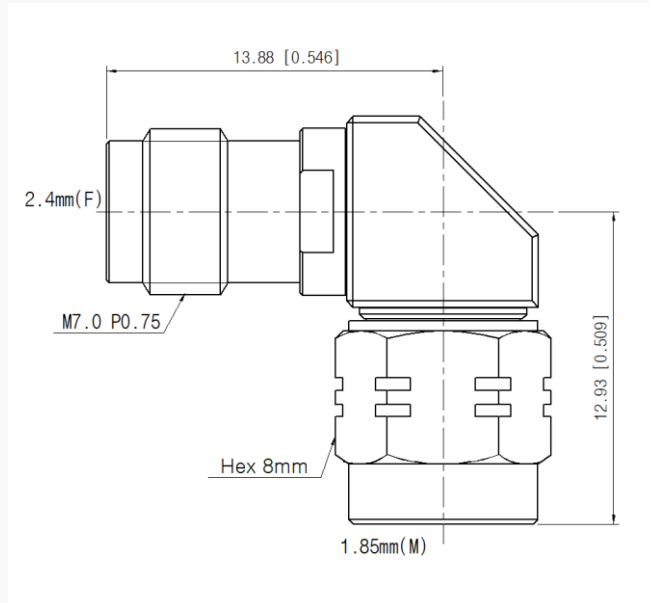
# Precision Test Adapters

## 1.85 mm(M) to 2.4 mm(F) : Right Angle type

### ■ Drawing

Part No.: MFAD01M02FR1

Unit : mm[inch]



### ■ Test Result

▪ Frequency : 10 MHz to 50 GHz

