

Precision Test Adapters

1.0 mm(M) to 1.85 mm(M)



Microwave Farm's Precision Test Adapters are designed based on precision microwave interconnection technologies.

This 1.0 mm(M) to 1.85 mm(M) adapter is manufactured to precise microwave specifications and constructed with male gender on both sides.

The precision microwave connector interfaces ensure an excellent microwave performance up to 67 GHz



■ Features

- Frequency range : DC to 67 GHz
- VSWR : 1.2: 1(Max) @ 67 GHz
- Stainless steel (passivated)

■ Specification

Scope	Specification	MFAD00M01MS1
Electrical	Impedance(Ohm)	50
	Operation Freq.(GHz)	DC to 67 GHz
	VSWR (Max)	1.2 : 1
Material	Dielectric	Special dielectric
	Center Contact	Brass with gold plated
	Body	Passivated Stainless Steel

* RoHS Compliant

Precision Test Adapters

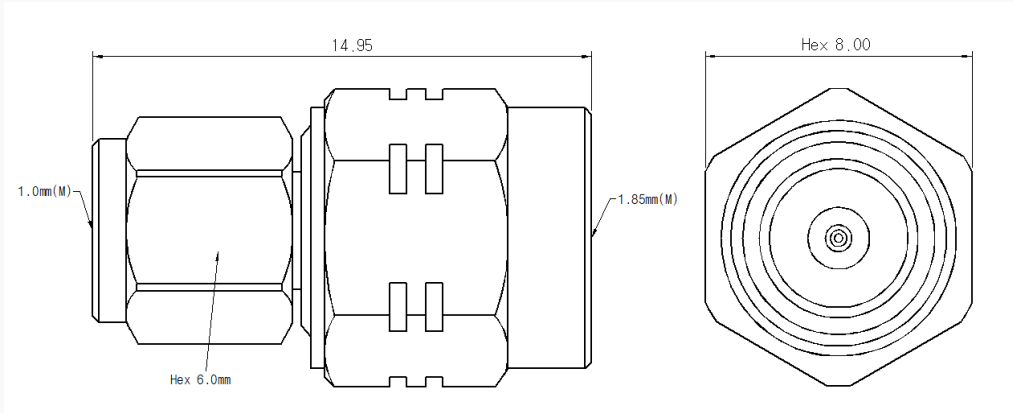
1.0 mm(M) to 1.85 mm(M)



Drawing

Part No.: MFAD00M01MS1

Unit : mm



Test Result

▪ Frequency : 10 MHz to 67 GHz

