

## DIN(Male) to 4.3-10(Female)

Microwave Farm's **Low PIM Test Adapters** are designed based on precision microwave interconnection technologies.

**This DIN(M) to 4.3-10(F) adapter** is manufactured to precise microwave specifications and constructed with male gender on side 1 and female gender side 2.

The precision microwave connector interfaces ensure an excellent microwave performance up to 6 GHz



### ■ Features

- Frequency range : DC to 6 GHz
- VSWR(Max) : 1.20 : 1
- Passive Intermodulation (Max.) : -160 dBc
- Contact : Silver Plated Beryllium Copper

### ■ Specification

Scope	Specification	MFAD21M20FS1
Electrical	Impedance(Ohm)	50
	Operation Freq.(GHz)	DC to 6 GHz
	VSWR (Max)	1.20 : 1
Material	Dielectric	Special dielectric
	Center Contact	Beryllium copper with Silver plated
	Body	Brass with Ternary Alloy plated

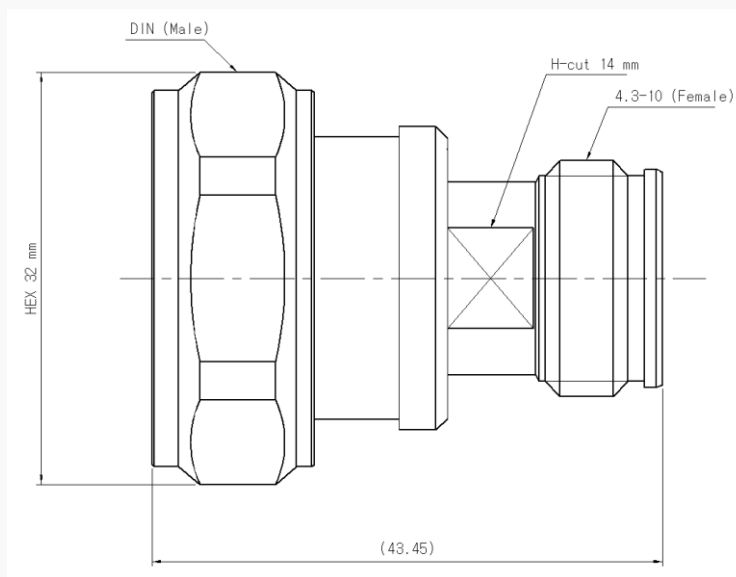
\* RoHS Compliant

## DIN(Male) to 4.3-10(Female)

### ■ Drawing

Part No.: MFAD21M20FS1

Unit : mm



### ■ Test Result

- Frequency : 10 MHz to 6 GHz

