

Microwave Farm's Low PIM Test Adapters are designed based on precision microwave interconnection technologies.

This DIN(M) to DIN(F) adapter is manufactured to precise microwave specifications and constructed with male gender on side 1 and female gender side 2.

The precision microwave connector interfaces ensure an excellent microwave performance up to 6 GHz



■ Features

- Frequency range : DC to 6 GHz
- VSWR(Max) : 1.25 : 1
- Passive Intermodulation (Max.) : -165 dBc
- Contact : Silver Plated Beryllium Copper

■ Specification

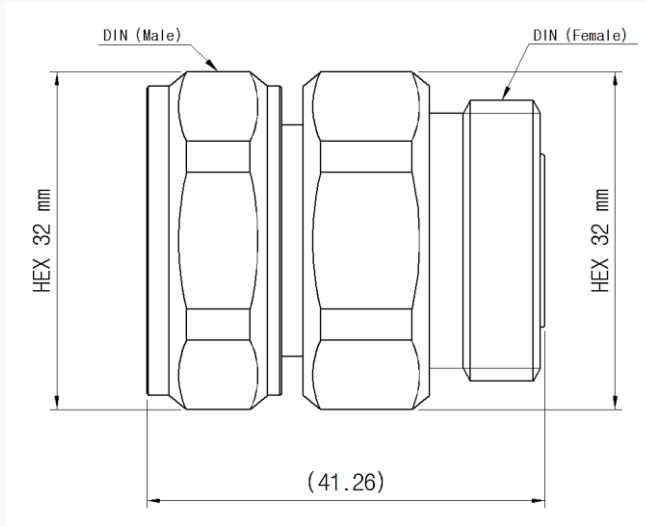
Scope	Specification	MFAD21M21FS1
Electrical	Impedance(Ohm)	50
	Operation Freq.(GHz)	DC to 6 GHz
	VSWR (Max)	1.25 : 1
Material	Dielectric	Special dielectric
	Center Contact	Beryllium copper with Silver plated
	Body	Brass with Ternary Alloy plated

* RoHS Compliant

Drawing

Part No.: MFAD21M21FS1

Unit : mm



Test Result

- Frequency : 10 MHz to 6 GHz

