

# Precision Test Adapters

## 2.92 mm(F) to SMA(F)



**Microwave Farm's Precision Test Adapters** are designed based on precision microwave interconnection technologies.

This 2.92 mm(F) to SMA(F) adapter is manufactured to precise Microwave specifications and constructed with female gender on side 1 and female gender side 2.

The precision microwave connector interfaces ensure an excellent microwave performance up to 26.5 GHz



### ■ Features

- Frequency range : DC to 26.5 GHz
- VSWR : 1.20 : 1(Max) @ 26.5 GHz
- Stainless steel (passivated)

### ■ Specification

Scope	Specification	MFAD03F06FS1
Electrical	Impedance(Ohm)	50
	Operation Freq.(GHz)	DC to 26.5 GHz
	VSWR (Max)	1.20: 1
Material	Dielectric	Special dielectric
	Center Contact	BeCu with gold plated
	Body	Passivated Stainless Steel

\* RoHS Compliant

# Precision Test Adapters

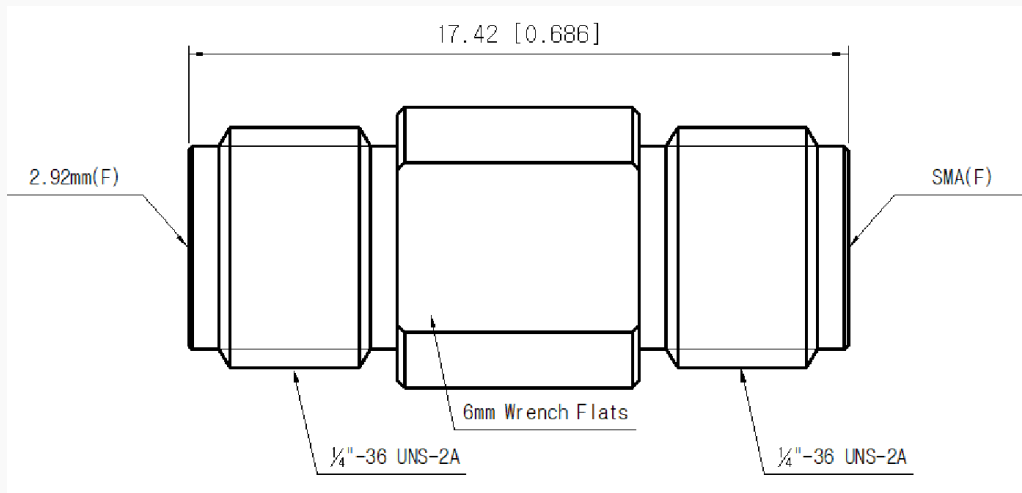
## 2.92 mm(F) to SMA(F)



### ■ Drawing

Part No.: MFAD03F06FS1

Unit : mm



### ■ Test Result

- Frequency : 10 MHz to 26.5 GHz

