

Precision Test Adapters



2.92 mm(M) to 2.92 mm(F) : Right Angle type

Microwave Farm's Precision Test Adapters are designed based on precision microwave interconnection technologies.

This 2.92 mm(M) to 2.92 mm(F) **Right Angle adapter** is manufactured to precise Microwave specifications and constructed with male gender on side 1 and female gender on side 2.

The precision microwave connector interfaces ensure an excellent microwave performance up to 40 GHz



■ Features

- Frequency range : DC to 40 GHz
- VSWR(Max) : 1.20 : 1
- Body : Stainless steel (passivated)

■ Specification

| Scope | Specification | MFAD03M03FR1 |
|------------|----------------------|----------------------------|
| Electrical | Impedance(Ohm) | 50 |
| | Operation Freq.(GHz) | DC to 40 GHz |
| | VSWR (Max) | 1.20 : 1 |
| Material | Dielectric | Special dielectric |
| | Center Contact | BeCu with gold plated |
| | Body | Passivated Stainless Steel |

* RoHS Compliant

Precision Test Adapters

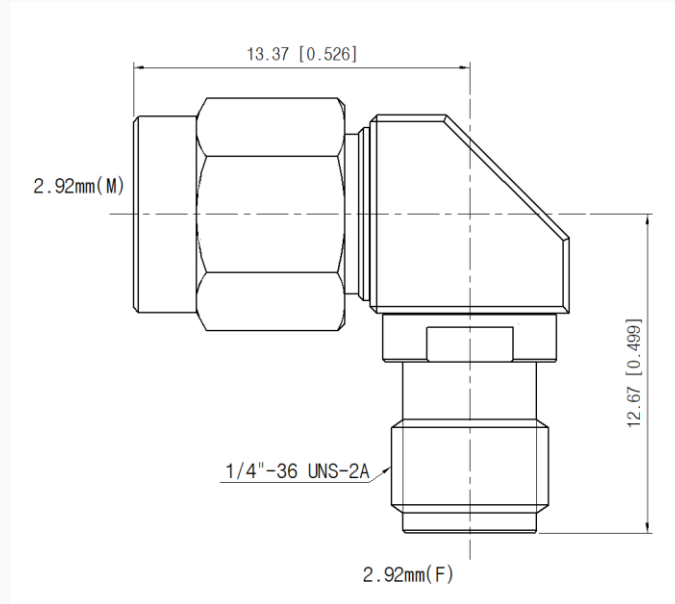


2.92 mm(M) to 2.92 mm(F) : Right Angle type

■ Drawing

Part No.: MFAD03M03FR1

Unit : mm[inch]



■ Test Result

▪ Frequency : 10 MHz to 40 GHz

