

Precision Test Adapters



2.92 mm(M) to 2.92 mm(M) : Right Angle type

Microwave Farm's Precision Test Adapters are designed based on precision microwave interconnection technologies.

This 2.92 mm(M) to 2.92 mm(M) *Right Angle adapter* is manufactured to precise Microwave specifications and constructed with male gender on side 1 and male gender on side 2.

The precision microwave connector interfaces ensure an excellent microwave performance up to 40 GHz



■ Features

- Frequency range : DC to 40 GHz
- VSWR(Max) : 1.20 : 1
- Body : Stainless steel (passivated)

■ Specification

Scope	Specification	MFAD03M03MR1
Electrical	Impedance(Ohm)	50
	Operation Freq.(GHz)	DC to 40 GHz
	VSWR (Max)	1.20 : 1
Material	Dielectric	Special dielectric
	Center Contact	Brass with gold plated
	Body	Passivated Stainless Steel

* RoHS Compliant

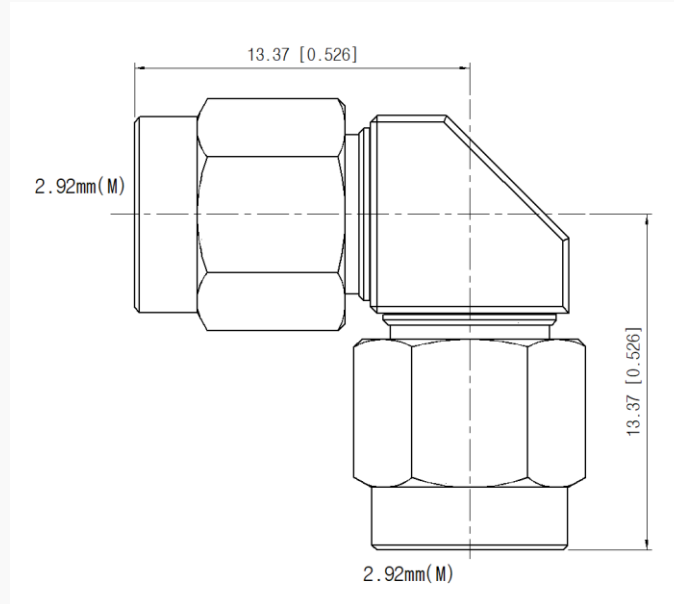
Precision Test Adapters

2.92 mm(M) to 2.92 mm(M) : Right Angle type

■ Drawing

Part No.: MFAD03M03MR1

Unit : mm[inch]



■ Test Result

▪ Frequency : 10 MHz to 40 GHz

