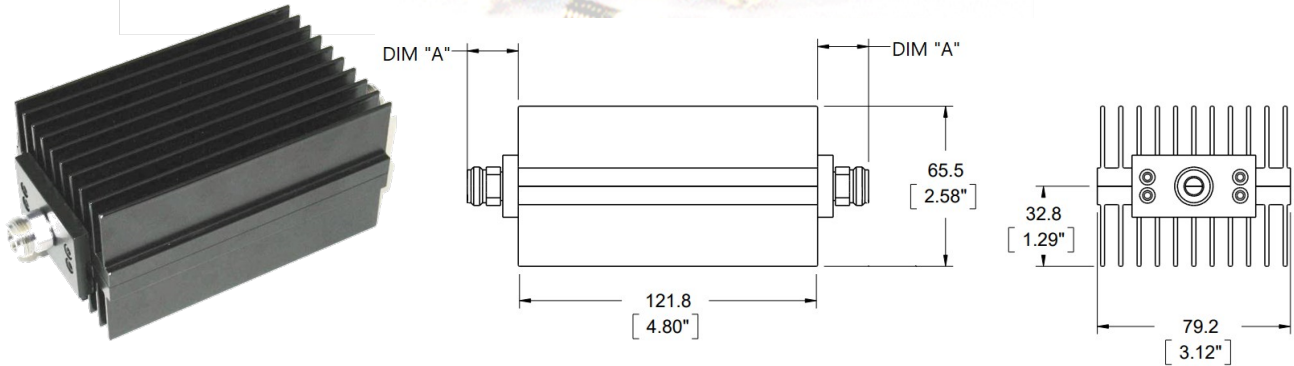


Fixed Coaxial Attenuator

WA40

DC – 3.0 GHz

150 WATTS



Features

Type N, 7/16 DIN, SMA or TNC stainless steel M/F connectors per MIL-STD-348A, interface dimensions mate nondestructively with MIL-PRF-39012. Designed to meet MIL-DTL-3933 environmental specification.

Specifications

Nominal Impedance: 50 ohms.

Frequency Range: DC - 3.0 GHz.

Nominal dB Values: 3 - 40 dB

Power Coefficient: < 0.0001 dB/dB/W;
Unidirectional in power.

Power Rating: **150 W** maximum average rated power to 25°C ambient temperature, de-rated linearly to 15 W at 125°C. **10 kW** peak power (5 µsec pulse width, 0.75% duty cycle).

Temperature Range: -55°C to +125°C.

Temperature Coefficient: <0.0004 dB/dB/°C.

Construction: Black aluminum alloy body with passivated stainless steel connectors. Gold plated beryllium copper or stainless steel contacts. RoHS Compliant.

Calibration: Insertion Loss and VSWR performed across frequency range. Calibration test data available at additional cost.

Standard Nominal Values and Deviations:

| Attenuation (dB) | Accuracy ± dB |
|------------------|---------------|
| | WA40 |
| 3 - 40 | 0.5 |

Maximum VSWR: 1.1

Dimensions:

| Connector Type (- code) | Length |
|-------------------------|---------------|
| | Dimension 'A' |
| SMA F -01 | 9.8 (.39) |
| SMA M -02 | 10.9 (.43) |
| N-Type F -03 | 14.9 (.59) |
| N-Type M -04 | 22.7 (.89) |
| TNC F -05 | 14.4 (.57) |
| TNC M -06 | 17.7 (.70) |
| 7/16 DIN F -07 | 30.5 (1.2) |
| 7/16 DIN M -08 | 31.8 (1.25) |

Weight: 1.0 (35.3)
Height: 65.5 (2.58)
Width: 79.2 (3.12)

Note: Dimensions are given in mm (in), or kg (oz). Weight figure is nominal, with our standard connector configuration. Additional connector options may be available.