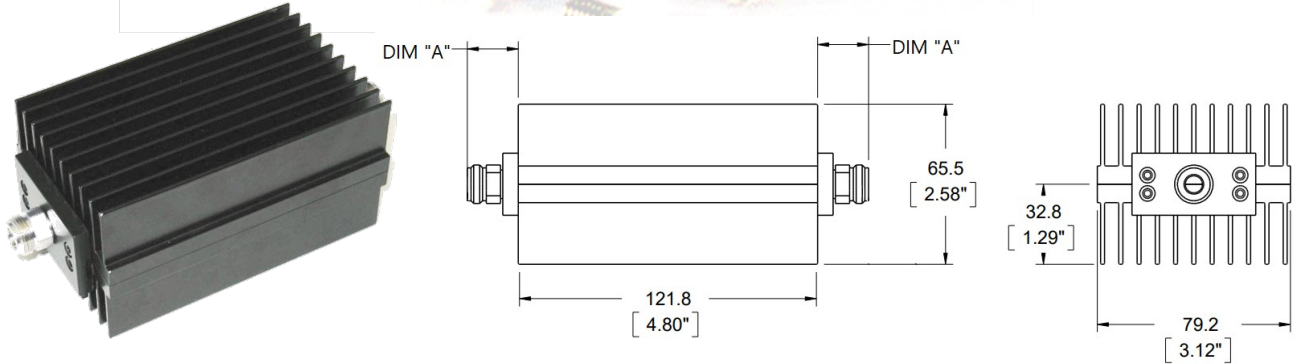


# Fixed Coaxial Attenuator

# WA57

DC – 5.0 GHz

150 WATTS



## Features

Type N, 7/16 DIN, SMA or TNC stainless steel M/F connectors per MIL-STD-348A, interface dimensions mate nondestructively with MIL-PRF-39012. Designed to meet MIL-DTL-3933 environmental specification.

## Specifications

**Nominal Impedance:** 50 ohms.

**Frequency Range:** DC - 5.0 GHz.

**Nominal dB Values:** 3 - 40 dB

**Power Coefficient:** < 0.0001 dB/dB/W;  
Unidirectional in power.

**Power Rating:** 150 W maximum average rated power to 25°C ambient temperature, de-rated linearly to 15 W at 125°C. 10 kW peak power (5 µsec pulse width, 0.75% duty cycle).

**Temperature Range:** -55°C to +125°C.

**Temperature Coefficient:** <0.0004 dB/dB/°C.

**Construction:** Black aluminum alloy body with passivated stainless steel connectors. Gold plated beryllium copper or stainless steel contacts. RoHS Compliant.

**Calibration:** Insertion Loss and VSWR performed across frequency range. Calibration test data available at additional cost.

## Standard Nominal Values and Deviations:

Attenuation (dB)	Accuracy ± dB
	WA57
3 - 20	1.25
21 - 40	1.5

## Maximum VSWR:

Frequency (GHz)	VSWR	
	WA57	
	Input	Output
DC - 2.0	1.1	1.2
2.0 - 5.0	1.15	1.2

Connector Type (- code)	Length
	Dimension 'A'
SMA F -01	9.8 (.39)
SMA M -02	10.9 (.43)
N-Type F -03	14.9 (.59)
N-Type M -04	22.7 (.89)
TNC F -05	14.4 (.57)
TNC M -06	17.7 (.70)
7/16 DIN F -07	30.5 (1.2)
7/16 DIN M -08	31.8 (1.25)

## Dimensions:

**Weight:** 1.0 (35.3)  
**Height:** 65.5 (2.58)  
**Width:** 79.2 (3.12)

Note: Dimensions are given in mm (in), or kg (oz). Weight figure is