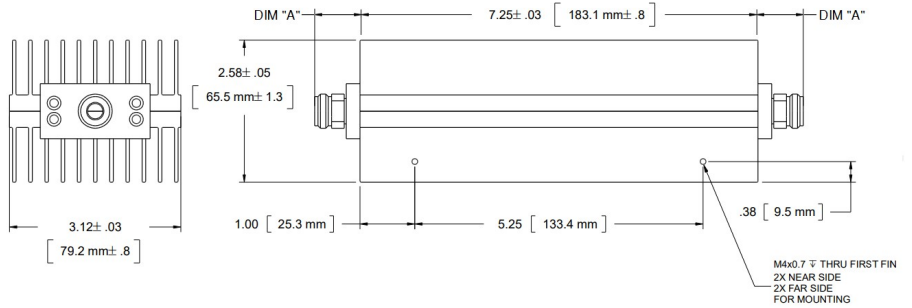
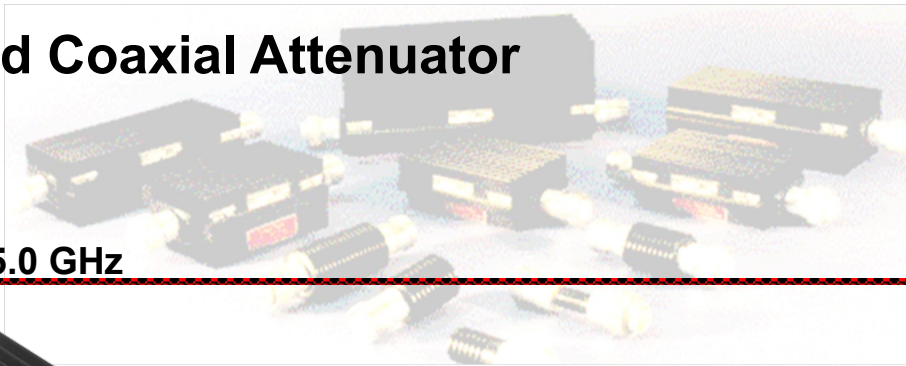


Fixed Coaxial Attenuator

WA58

DC – 5.0 GHz

250 WATTS



Features

Type N or DIN 7/16 stainless steel M/F connectors per MIL-STD-348A, interface dimensions mate nondestructively with MIL-PRF-39012. Designed to meet MIL-DTL-3933 environmental specification.

Specifications

Nominal Impedance: 50 ohms.

Frequency Range: DC to 5.0 GHz

Nominal dB Values: 3 - 40 dB

Power Coefficient: < 0.0001 dB/dB/W;
Unidirectional in power.

Power Rating: **250 W** maximum average rated power to 25°C ambient temperature, derated linearly to 25 W at 125°C. **10 kW** peak power (5 µsec pulse width, 1.5% duty cycle).

Temperature Range: -55°C to +125°C.

Temperature Coefficient: <0.0004 dB/dB/°C.

Construction: Black aluminum alloy body with passivated stainless steel connectors. Gold plated beryllium copper or stainless steel contacts. RoHS Compliant.

Calibration: Insertion Loss and VSWR performed across frequency range. Calibration test data available at additional cost.

Standard Nominal Values and Deviations:

Attenuation (dB)	Accuracy ± dB
	WA58
3 - 20	1.5
21 - 40	1.75

Maximum VSWR:

Frequency (GHz)	VSWR
	WA58
DC - 2.0	1.2
2.0 - 5.0	1.25

Dimensions:

Connector Type (- code)	Length
	Dimension 'A'
N-Type F -03	14.9 (.57)
N-Type M -04	22.7 (.89)
DIN 7/16 F -07	30.5 (1.2)
DIN 7/16 M -08	31.8 (1.25)

Weight: 1.3 (45.9)
Height: 65.5 (2.58)
Width: 79.2 (3.12)

Note: Dimensions are given in mm (in), or kg (oz). Weight figure is nominal, with our standard connector configuration. Additional connector options may be available.

Low Intermodulation Option: Add -LIM after connector option to specify low intermodulation.